

HOSE-PROOF HOOD

FFH 086 | Type 4/4X (IP56)



- > Increase of protection class
- > Easy to clean
- > Filter mat change from outside
- > Impact-resistant, robust
- > Safe against unauthorized removal
- > Weather resistant
- > Versatile
- > Protective grid

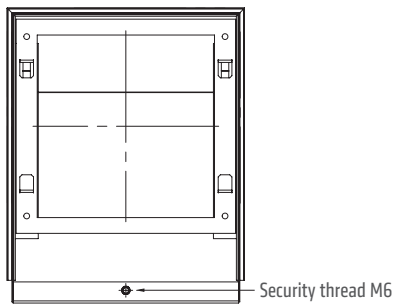
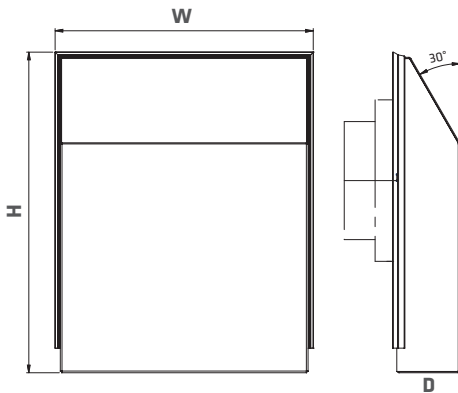
The hose-proof hood is designed to increase the protection class and serves as a protective cover for filter fans, intake and exit filters, e.g. for the series FPI 018, FPO 018 and FF 018. It is used for protection against water projected by a hose and extreme climatic influences if located outdoors or in industrial applications with harsh environmental conditions. In order to clean the filter fans or to change the filter mat, the hood can easily be removed, the cabinet does not need to be opened (safety risk).



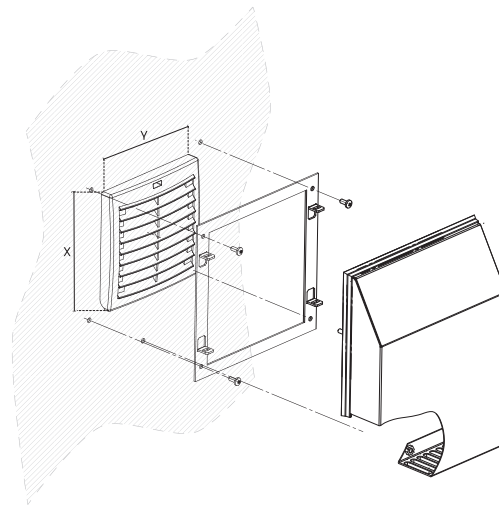
TECHNICAL DATA

Material hood	stainless steel
Material sealing	silicone, food safe
Protection type UL/NEMA	UL Type 4/4X ¹ / Nema Type 4/4X ¹
Protection type	IP56 ¹
Approvals	UL File No. E234324, EAC

¹ When used with STEGO filter fans FPI/FPO 018 and FF 018 and when seal is tightly fitted.



Back view



Part No.	Cutout if used for FF 018	Cutout if used for FPI/FPO 018	Dimensions H x W x D	Max. covered area (X x Y)	Weight approx.
08670.0-00	3.81 x 3.81" (97 x 97 mm)	3.62 x 3.62" (92 x 92 mm)	8.42 x 7.67 x 1.88" (214 x 195 x 48 mm)	5.62 x 5.11" (143 x 130 mm)	1.76 lbs. (0.8 kg)
08671.0-00	4.92 x 4.92" (125 x 125 mm)	4.88 x 4.88" (124 x 124 mm)	10.98 x 8.85 x 2.28" (279 x 225 x 58 mm)	6.81 x 6.29" (173 x 160 mm)	2.64 lbs. (1.2 kg)
08672.0-00	6.92 x 6.92" (176 x 176 mm)	6.92 x 6.92" (176 x 176 mm)	14.13 x 11.57 x 2.67" (359 x 294 x 68 mm)	9.25 x 8.58" (235 x 218 mm)	4.40 lbs. (2.0 kg)
08673.0-00	9.84 x 9.84" (250 x 250 mm)	8.77 x 8.77" (223 x 223 mm)	16.33 x 14.52 x 3.07" (415 x 369 x 78 mm)	11.41 x 11.25" (290 x 286 mm)	6.17 lbs. (2.8 kg)
08674.0-00	N/A ²	11.45 x 11.45" (291 x 291 mm)	19.09 x 16.10 x 4.05" (485 x 409 x 103 mm)	13.38 x 12.83" (340 x 326 mm)	8.15 lbs. (3.7 kg)

² FF 018 does not exist in this size